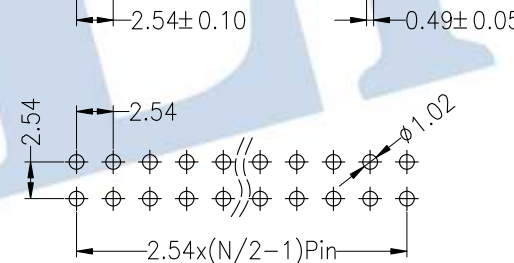
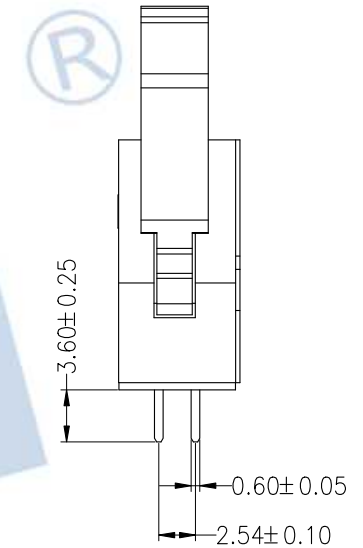
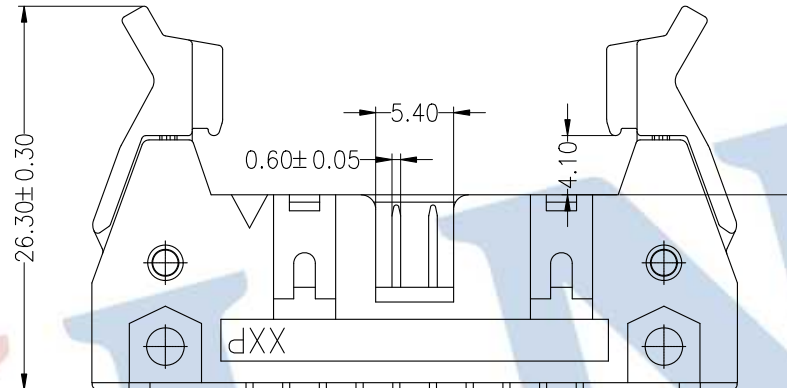
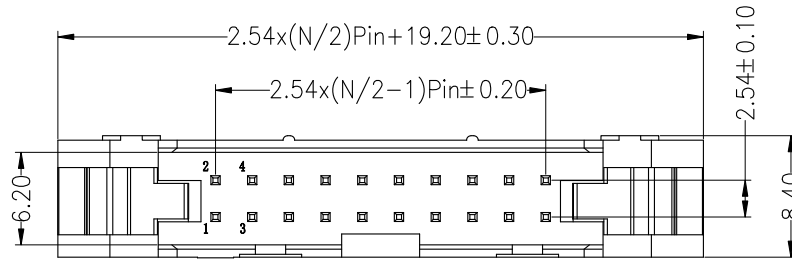


HSF RoHS

SPECIFICATIONS

Rated Current:3.0AMP
 Contact Resistance:20mΩ Max
 Withstand Voltage:1000V AC/DC
 Insulation Resistance:1000MΩ Min
 Operation Temperature:-40°c to +105°c

Contact Material:Brass
 Contact Plating:Au or Sn Over Ni
 Insulator Material:Polyester(UL94V-0)
 Resistance To Soldering Heat:
 245° C±5° C, 10s(PBT insulator)
 260° C±5° C, 10s(PA6T&PA9T&LCP insulator)



Recommended P.C.B Layout(Top Side)
 (PCB BOARD TOLERANCE±0.05)

Ordering Information

3311 XX S XX X X S X XX

- No.of Pins: 6--64P
- Contact Plating: G0:Gold Flash, G1:1U" Gold, G2:1.5U" Gold, G3:2U" Gold, G4:3U" Gold, G5:5U" Gold, S0:Gold Flash/Tin, S1:3U" Gold/Tin, SN:Tin, SM:Matte-Tin
- Insulator Material Option: A=BK-PBT, C=BK-PA6T, F=BK-PA9T
- Color Type: B=Black, G=Grey
- Packing: T=Tube, A=Tray
- Stream code: 01~99

				OPERATION		DRAW	Wei Chen	22.10.13	SCALE	FIT	JILN ® 深圳市锦凌电子有限公司 SHENZHEN JINLING ELECTRONICS CO.,LTD Tel: 86-755-27483253 Fax: 86-755-2997-5588	
				X.X	±0.30				UNIT	mm		
				X.XX	±0.20				SIZE	A4		
				X.XXX	±0.10				SHEET	1/1		
A0	2022.10.13	NEW DRAWING		Angle	±3°	APPROVE		PROJ.	☉	PART NO.	3311XXSXXXXXXX	
REV	DATE	MODIFICATION DESCRIPTION		DIM	TOL					TITLE:	2.54 ejector header Npin 90° 短小耳扣	