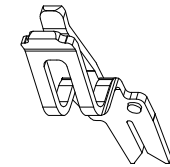
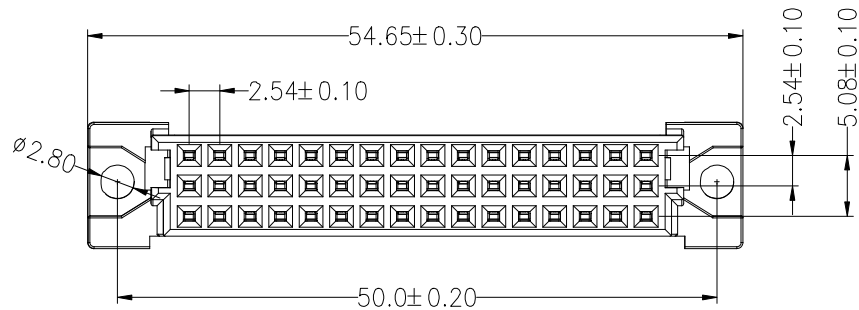


HSF RoHS

SPECIFICATIONS

Rated Current:3.0AMP
 Contact Resistance:30mΩ Max
 Withstand Voltage:1000V AC/DC
 Insulation Resistance:1000MΩ Min
 Operation Temperature:-40°c to +105°c

Contact Material:Phosphor Bronze
 Contact Plating:Au or Sn Over Ni
 Insulator Material:Polyester(UL94V-0)
 Resistance To Soldering Heat:
 245° C ± 5° C, 10s(PBT insulator)



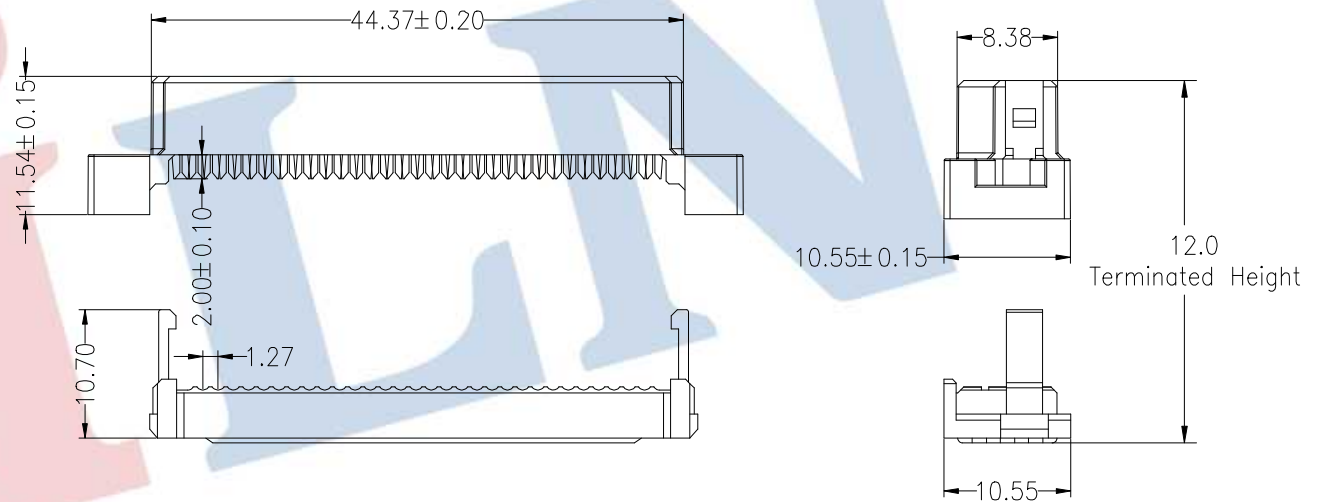
Ordering Information

3512 3 48 A F I XX P W A X

No. of Pins
48=48Pin

Contact Plating
Ni: Ni
SO: Gold Flash/ Ni

Stream Code



OPERATION

X.X	±0.30
X.XX	±0.20
X.XXX	±0.10
Angle	±3°
DIM	TOL

DRAW

YiYuSheng

12.04.10

SCALE

FIT

UNIT

mm

SIZE

A4

SHEET

1/1

PROJ.

JILN® 深圳市锦凌电子有限公司
 SHENZHEN JINLING ELECTRONICS CO.,LTD

Tel: 86-755-27483253 Fax: 86-755-2997-5588

PART NO.

3512348AFIXXPWAX

TITLE:

Din41612 348 Female IDC-Type

A

REV	DATE	MODIFICATION DESCRIPTION	CHANGE
A0	2012.04.10	NEW DRAWING	

A

1 2 3 4 5 6 7 8 9